

- » High efficiency
- » Output shaft with double ball bearings
- » All stages have straight tooting
- » Reinforced version on demand



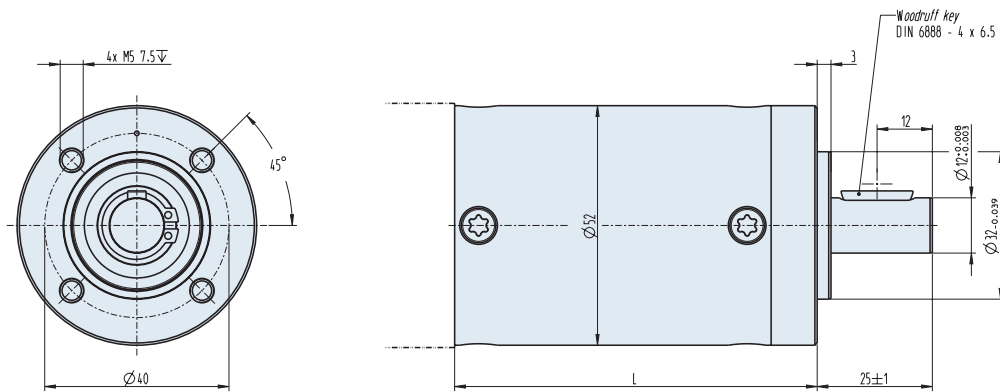
Lifetime lubrication	Food grade lubrication	Low temperature	High efficiency	High torque	Special surface available	Protection class (up to)

Data | PLG 52 - Ring gear steel or plastic

Reduction ratio	-	4.5	6.25	8	15	20.25	28.12	36	50	64	91.12	126.5	162	225	288	400	512
Efficiency	%	90			81						73						
Number of stages		1			2						3						
Continuous torque	Nm	up to 1.2			up to 8						up to 24						
Weight of gearbox	kg	0.56			0.72						0.88						
Axial load / radial load (middle of key)	N	500 / 350			500 / 350						500 / 350						

Dimensions in mm

Depending on the motor type, the mounting pattern may be rotated by 45°. Please ask us for details.



Length L mm	
1 stage	50
2 stage	65.5
3 stage	80.5