

>> PLG 42 SP | Planetary Gearbox

- » Long lifetime
- » Compact, industry compatible planetary gearbox
- » Output shaft with dual ball bearings
- » All stages have straight toothing
- » Optimized for stepper operation

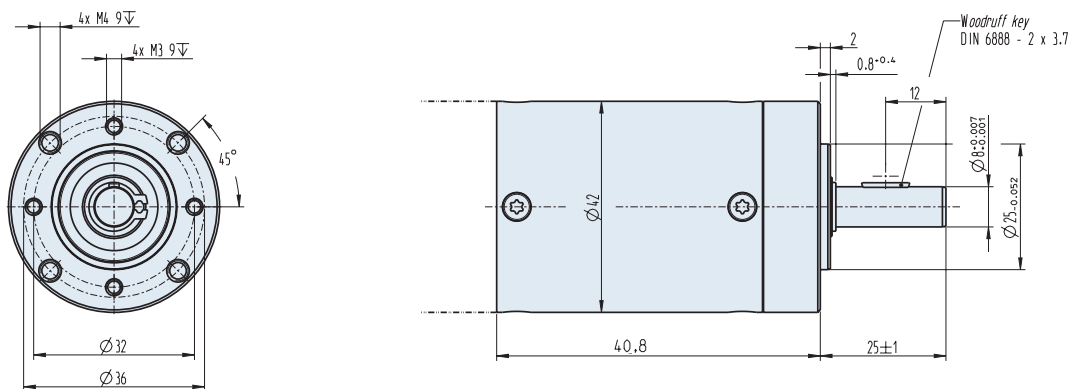


Long lifetime	Lifetime lubrication	Food grade lubrication	Low temperature	High efficiency	High torque	Special surface available	Protection class (up to)

Data | PLG 42 SP - Ring gear made of steel

Reduction ratio	-	4.00	6.25	8.00
Efficiency	%	90		
Number of stages	-	1		
Continuous torque	Nm	4.5	5.5	6
Acceleration torque	Nm	4.7	6	7.5
Emergency stop torque	Nm	5	6.5	8.5
Operating mode	-	S1 / S8		
Weight of gearbox	kg	0.2	0.2	0.2
Axial load / radial load (middle of key)	N	150 / 250		

Dimensions in mm



Depending on the motor type, the mounting pattern may be rotated by 45°. Please ask us for details

■ Preferred series ■ Standard product - MOQ may apply ■ On request