

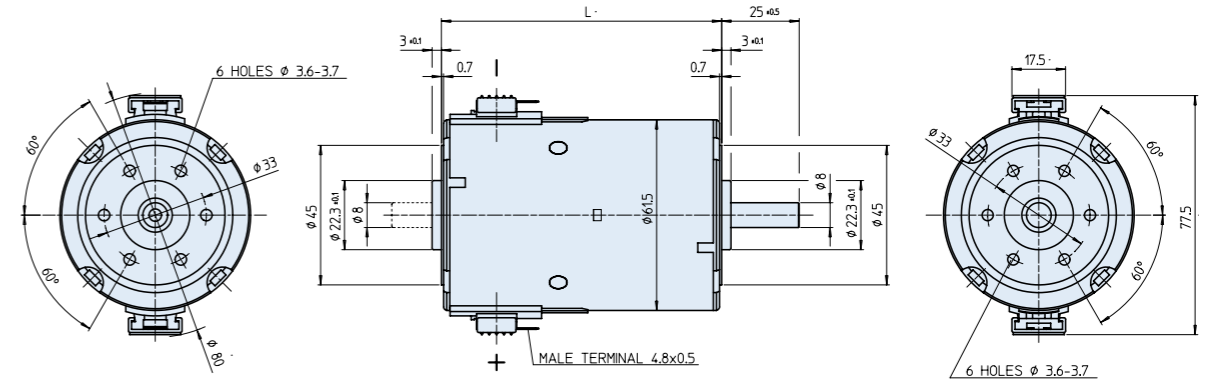
- » 2-Pole DC motor
- » Operation in both direction of rotation
- » Replaceable brush system

- » Options with custom shaft length and diameter
- » High voltage winding 120V - 230V available



Data		PM 62x25			PM 62x40		
Nominal voltage	VDC	12	24	48	12	24	48
Nominal current	A	8.6	5.0	2.5	14.7	7.2	3.6
Nominal torque	Ncm	6.2	10.9	11.1	23.6	19.1	19.3
Nominal velocity	rpm	8830	7052	7035	4907	6076	6065
Stall torque	Ncm	70	125	155	160	190	190
No load velocity	rpm	10200	7800	7750	6150	7000	6930
Nominal output power	W	57	80	82	121	122	123
Torque constant	Ncm / A	0.72	2.19	4.39	1.60	2.65	5.30
Terminal resistance	Ohm	0.11	0.36	1.51	0.10	0.30	1.46
Rotor inertia	gcm <sup>2</sup>	320	320	320	400	400	400
Weight	Kg	0.87	0.87	0.87	1.00	1.00	1.00

Dimensions in mm



Motor	L
62X25	90.4±0.5
62X40	105.4±0.5

Characteristic diagram

