

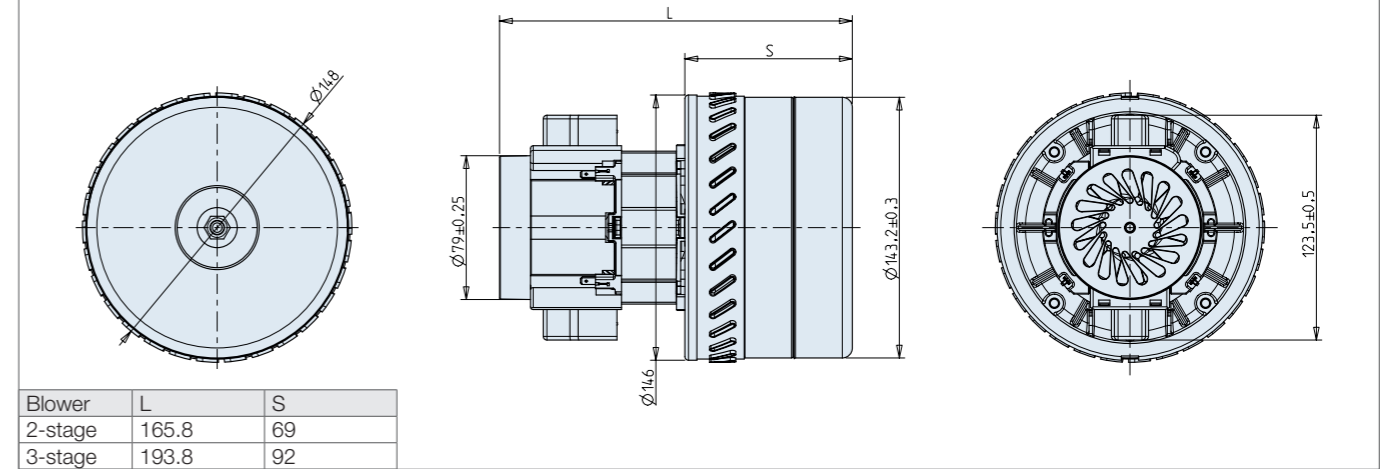
- » Robust design for heavy duty application
- » Enhanced airflow performance
- » Extended life
- » Made in Europe
- » Superior wet protection on bearings
- » Skeleton frame design
- » Double ball bearings



Data		390W	580W	600W
Nominal voltage	V	24	24	36
Frequency	Hz	DC	DC	DC
Fan housing diameter	mm	145	145	145
Fan stages	n°	2	3	3
Max. airflow	l/sec	34	34	36
Max. vacuum	kPa	11.7	18.8	19
Max. input power	W	390	580	620
Max. efficiency	%	26	27	30
Max. speed	rpm	16500	17000	17500
Weight	Kg	1.80	2.20	2.20

- Options
- » Enhanced corrosion protection
  - » Tangential discharge
  - » Inlet tube
  - » Thermal protection
  - » UL approval (E100414 E242220)
  - » Customized lead harness
  - » EMC suppression components

Dimensions in mm



Characteristic diagram

