

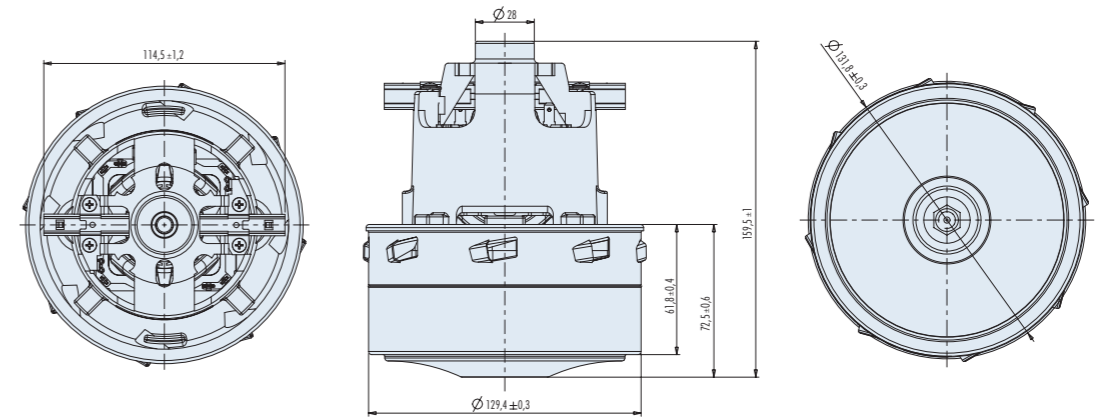
- » Hi efficiency lamination design
- » Aerodynamically optimized impellers
- » Enhanced airflow performance
- » Extended life
- » Made in Europe
- » Compact dimensions and reduced weight
- » Superior wet protection on bearings
- » Double insulated system
- » Hi temperature thermoset motor housing



Data		500W	500W
Nominal voltage	V	24	36
Frequency	Hz	DC	DC
Fan housing diameter	mm	130	130
Fan stages	n°	2	2
Max. airflow	l/sec	32	34
Max. vacuum	kPa	16.5	17.6
Max. input power	W	500	540
Max. efficiency	%	33	36
Max. speed	rpm	24000	25000
Weight	Kg	1.75	1.75

- Options
- » Enhanced corrosion protection
 - » Tangential discharge
 - » Inlet tube
 - » Top assembly cap
 - » Thermal protection
 - » UL approval (E100414 E242220)
 - » Extended life version with longer brush box 127 mm

Dimensions in mm



Characteristic diagram

