

- » Hi efficiency lamination design
- » Aerodynamically optimized impellers
- » Enhanced airflow performance
- » Extended life
- » Made in Europe

- » Compact dimensions and reduced weight
- » Superior wet protection on bearings
- » Double insulated system
- » Hi temperature thermoset motor housing

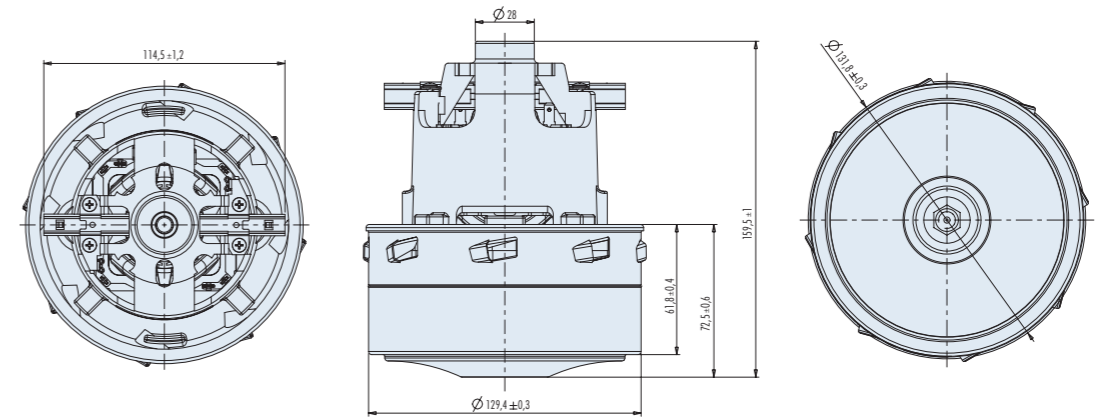


Data		1000W
Nominal voltage	V	100/240
Frequency	Hz	50/60
Fan housing diameter	mm	130
Fan stages	n°	2
Max. airflow	l/sec	45
Max. vacuum	kPa	26
Max. input power	W	1150
Max. efficiency	%	37
Max. speed	rpm	35000
Weight	Kg	1.8

Options

- » Enhanced corrosion protection
- » Tangential discharge
- » Inlet tube
- » Top assembly cap
- » Thermal protection
- » UL approval (E100414 E242220)
- » Water separator
- » Extended life version with longer brush box 127 mm

Dimensions in mm



Characteristic diagram

