

- » High Speed BLDC Blower
- » Sensorless Commutation
- » Onboard Speed Control
- » Tach Output

- » Aerodynamically Optimized
- » Compact and light weight
- » Low Sound Output
- » High Efficiency



Data			
Nominal voltage	VDC	12	24
Fan housing diameter	mm	76	76
Fan stages	n°	1	1
Max. airflow	m³/h	44	44
Max. pressure	kPa	7.5	7.5
Max. Input power	W	110	110
Input current	A	9	4.5
Max. speed	rpm	37 000	37 000
Weight	Kg	0.25	0.25
Sound pressure level*	dBA	<73	<73
Peak Total Efficiency	%	43	43

* At free flow conditions according to IEC 60704-1

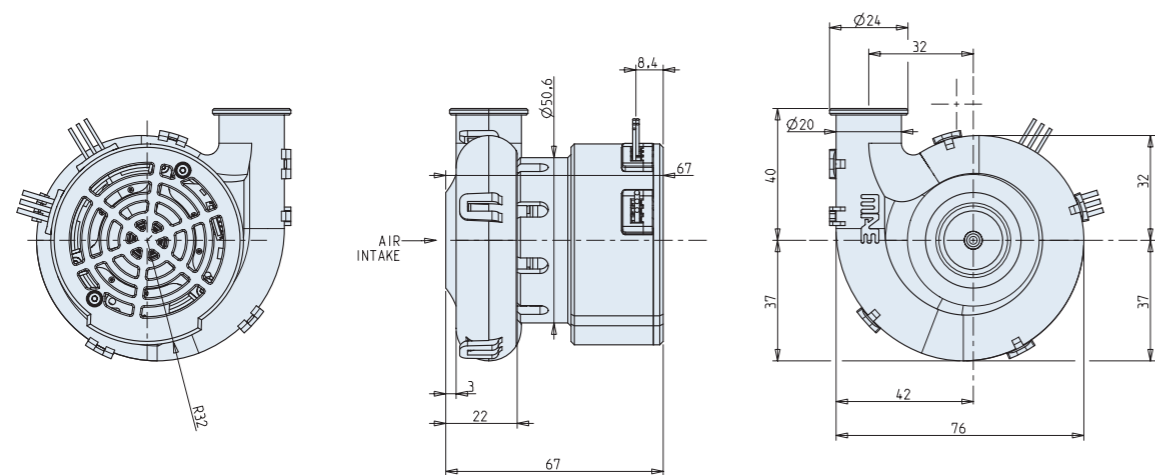
Standard Features:

- » Analogue speed command input 0-10 VDC
- » Tach-output 2 ppr

Options on request:

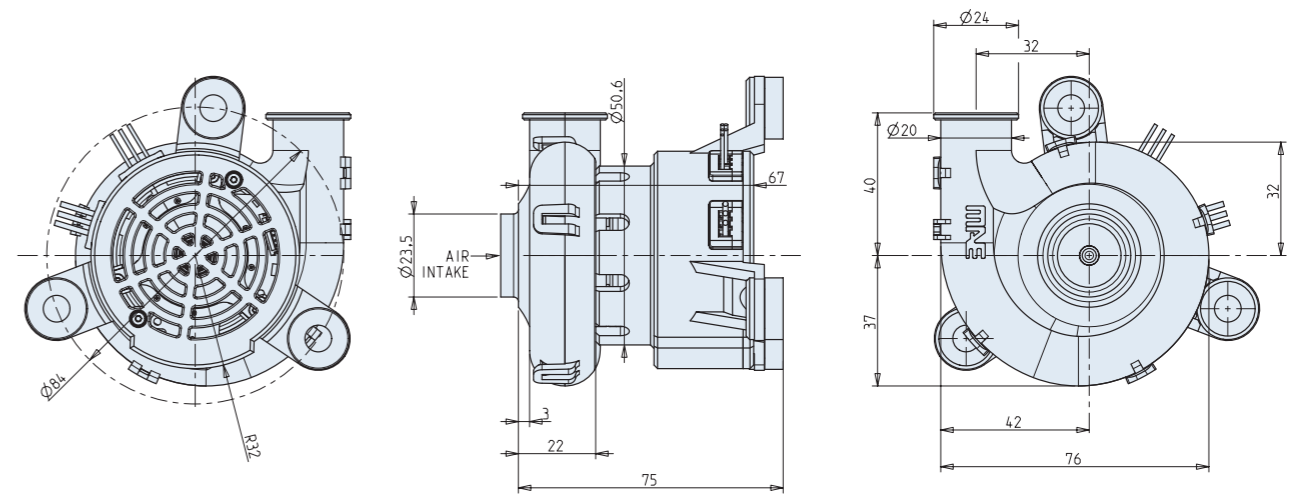
- » 4-pin connector
- » Mounting feet
- » Tube on working-air intake

Dimensions in mm/ standard models



Lead-wire description		
VDC	Red	●
GND	Black	●
0-10 VDC speed control	Green	●
Tach out	Blue	●

Dimensions in mm/ models with optional mounting feet and working-air intake tube



Connection diagram		
VDC	Red	●
GND	Black	●
0-10 VDC speed control	Green	●
Tach out	Blue	●

Characteristic diagram

