

- » High Speed BLDC Blower
- » Electronic Commutation
- » Hall Sensor Output
- » Aerodynamically Optimized

- » Compact and light weight
- » Low Sound Output
- » High Efficiency



Data		Std. Output		High Output
Nominal voltage	VDC	12	24	24
Fan housing diameter	mm	76	76	76
Fan stages	n°	1	1	1
Max. airflow	m³/h	44	44	49
Max. pressure	kPa	7.5	7.5	9.5
Max. Input power	W	110	110	130
Input current	A	9	4.5	5.5
Max. speed	rpm	37 000	37 000	40 000
Weight	Kg	0.25	0.25	0.25
Sound pressure level*	dBA	<73	<73	<73
Peak Total Efficiency	%	43	43	42

* At free flow conditions according to IEC 60704-1

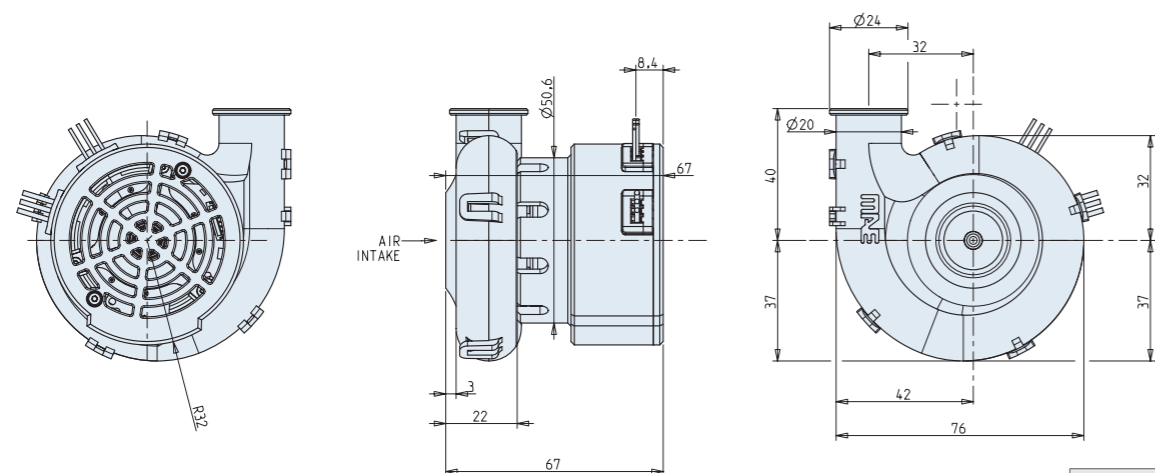
Alternative versions on request:

- » 36 VDC input
- » With on-board drive controller
- (dCore models require external drive controller)

Options on request:

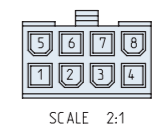
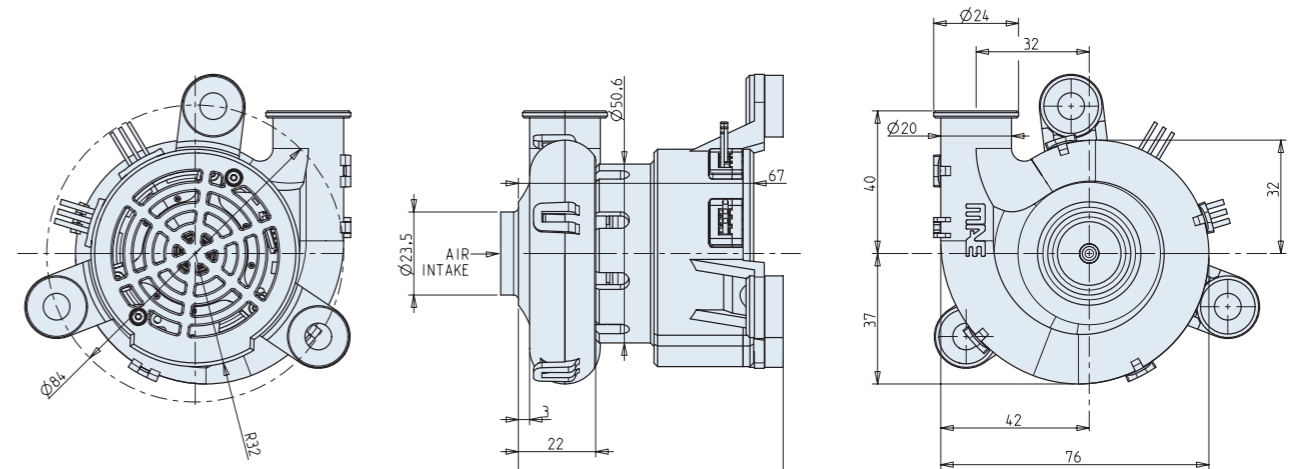
- » 8-pin connector
- » Mounting feet
- » Tube on working-air intake

Dimensions in mm/ standard models



Pin Out		
Phase A	Red	●
Phase B	Black	●
Phase C	Yellow	●
Hall Sensor		
VCC	Red	●
GND	Black	●
H1	Green	●
H2	Yellow	●
H3	Brown	●

Dimensions in mm/ models with optional mounting feet and connector plus working-air intake tube



Pin Assignment		
Description	J1	
Hall HA	1	
Hall HB	2	
VCC	3	
Phase SHC	4	
Hall HC	5	
GND	6	
Phase SHA	7	
Phase SHB	8	

Characteristic diagram

