

- » BLDC Blower / Electronically Commutated
- » Onboard controller with digital signal processor (DSP)
- » Programmable for various speed profiles and signals
- » Closed-Loop speed control

- » Universal voltage capability
- » Onboard calibration potentiometer
- » Robust aluminium housing and impeller
- » Aerodynamically optimized impeller and housing



Data		1-Stage	2-Stage
Nominal voltage	V	100-240	100-240
Frequency	Hz	50/60	50/60
Phase	~	1	1
Fan housing diameter	mm	145	145
Fan stages	n°	1	2
Max. airflow	m³/h	221	122
Max. pressure	kPa	9	14.2
Max. vacuum	kPa	8.4	13.4
Input power	W	600	600
Current @ 120V	A	10	10
Current @ 230V	A	5	5
Max. speed	rpm	19000	17000
Weight	Kg	2.7	2.7
Standard Features			
Speed command input	VDC	0-10	0-10

Options

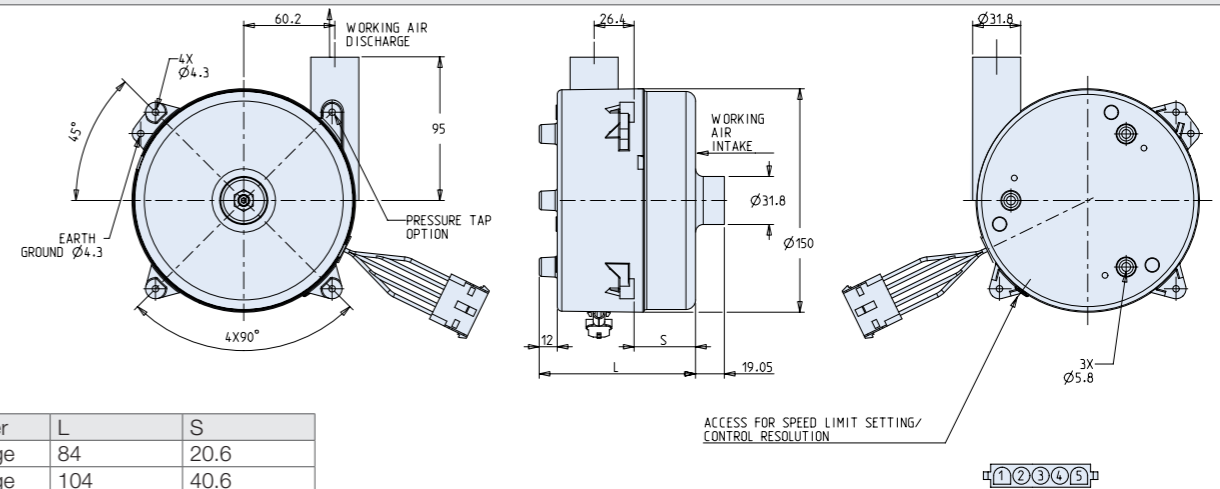
A) Mechanical

- » No inlet tube on working air
- » Various mounting patterns

B) Electrical / Software

- » Digital output signal
- » Tach resolution (1 to 6 ppr)
- » Speed command input (PWM or 5 - 20mA)
- » Customized software functions

Dimensions in mm



Blower	L	S
1-stage	84	20.6
2-stage	104	40.6

Speed Control Options and Electrical Connection

PWM: 400Hz – 20Mz +10V nominal, min 10% duty cycle

Pin #	Function
1	Speed command PWM
2	Speed command PWM

Current: 5mA – 20mA +10V nominal

Pin #	Function
1	Speed command current
2	Speed command current

On/Off: Without Electrical Speed Control

Pin #	Function
1	Not used
2	Not used

Pin Assignment

Connector: 05P AMP Mate-N-Lok 350810-1

Connector Pins: Male AMP 350873-1

Pin #	Function
1	Speed command 0-10VDC
2	Speed command 0-10VDC
3	Ground
4	Line
5	Neutral

Characteristic diagram

