

- » BLDC Blower / Electronically Commutated
- » Onboard controller with digital signal processor (DSP)
- » Programmable for various speed profiles and signals

- » Aerodynamically optimized impeller and housing
- » Closed-Loop speed control
- » Robust aluminium housing and impeller



Data		60 Hz	50 Hz
Nominal voltage	VAC	240	400
Voltage Range	VAC	-	380 - 575
Frequency	Hz	60	50
Phase	~	3	3
Fan housing diameter	mm	312	312
Fan stages	n°	1	1
Max. airflow	m3/h	2139	2105
Max. pressure	KPa	6.1	6
Max. vacuum	KPa	5.8	5.7
Input power	W	3700	3800
Current	A	15	9
Max. speed	rpm	9300	9300
Weight	Kg	12.7	12.7
Standard Features			
Speed command input	VDC	0-10	0-10
Tach output	ppr	2	2

Options

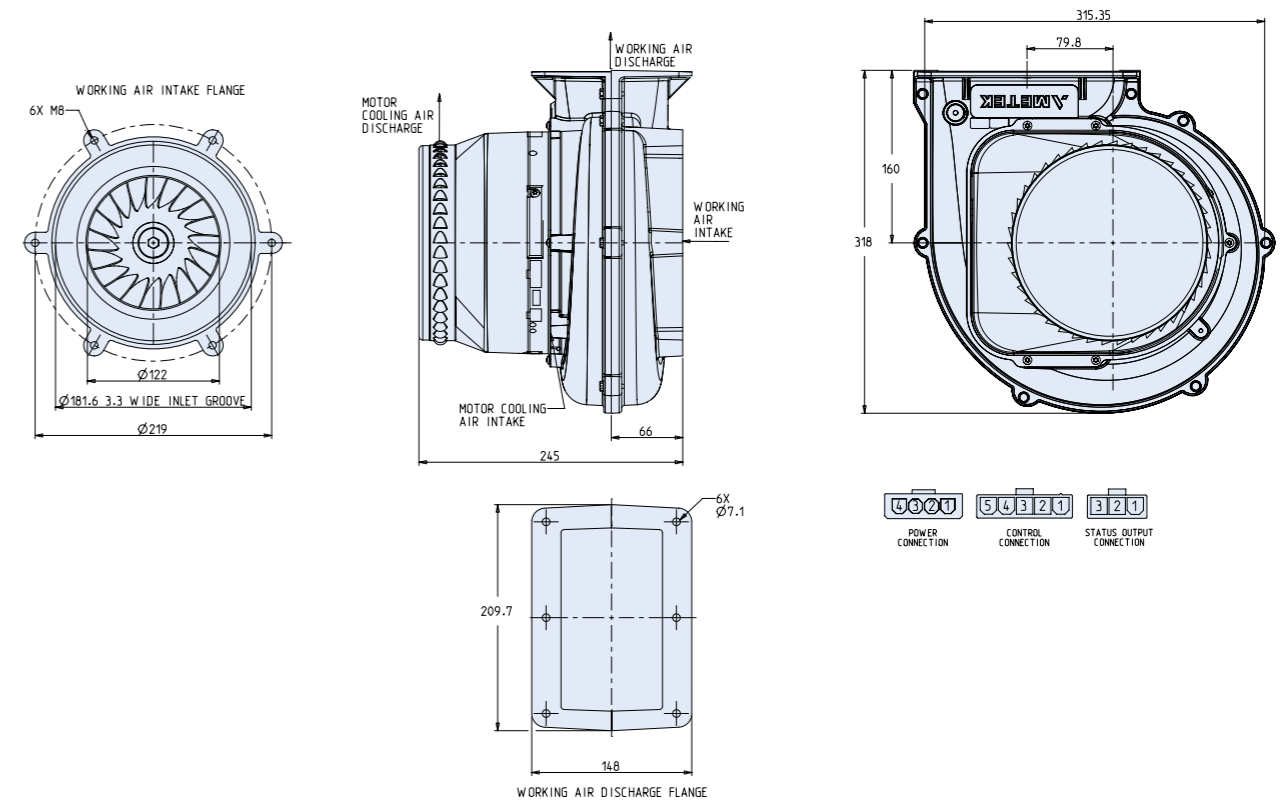
- A) Mechanical
- » Large exhaust flange

B) Electrical / Software

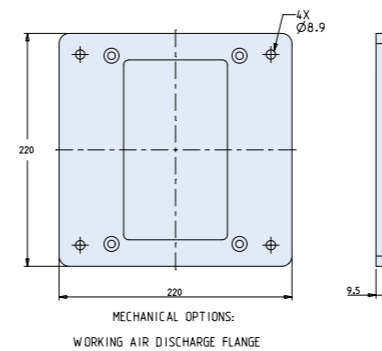
- » Various digital output signals (tach-out 2ppr std.)
- » Tach output resolution (up to 6 ppr)
- » Speed command input (PWM or 5-20mA)
- » Open-loop speed control

- » Customized software functions
- » External potentiometer input s
- » Auxiliary DC voltage output
- » Without digital output

Dimensions in mm



Mechanical options



See page 98 for Connector Harnesses

Pin Assignment					
Molex 1720430406		Molex 39-30-3055		Molex 39-30-3035	
Pin #	Function (Power)	Pin #	Function (Control)	Pin #	Function (status output)
1	A/C Input	1	15V-40V External Supply	1	Auxiliary 15VDC Output
2	A/C Input	2	Tach Output	2	Open Collector Output
3	A/C Input	3	Speed Command Input 0..10V	3	Common
4	Ground	4	n.c.		
		5	Common		

Characteristic diagram

