

- » BLDC Blower / Electronically Commutated
- » Onboard controller with digital signal processor (DSP)
- » Programmable for various speed profiles and signals
- » Closed-Loop speed control
- » Universal voltage capability
- » Onboard calibration potentiometer
- » Robust aluminium housing and impeller
- » Aerodynamically optimized impeller and housing

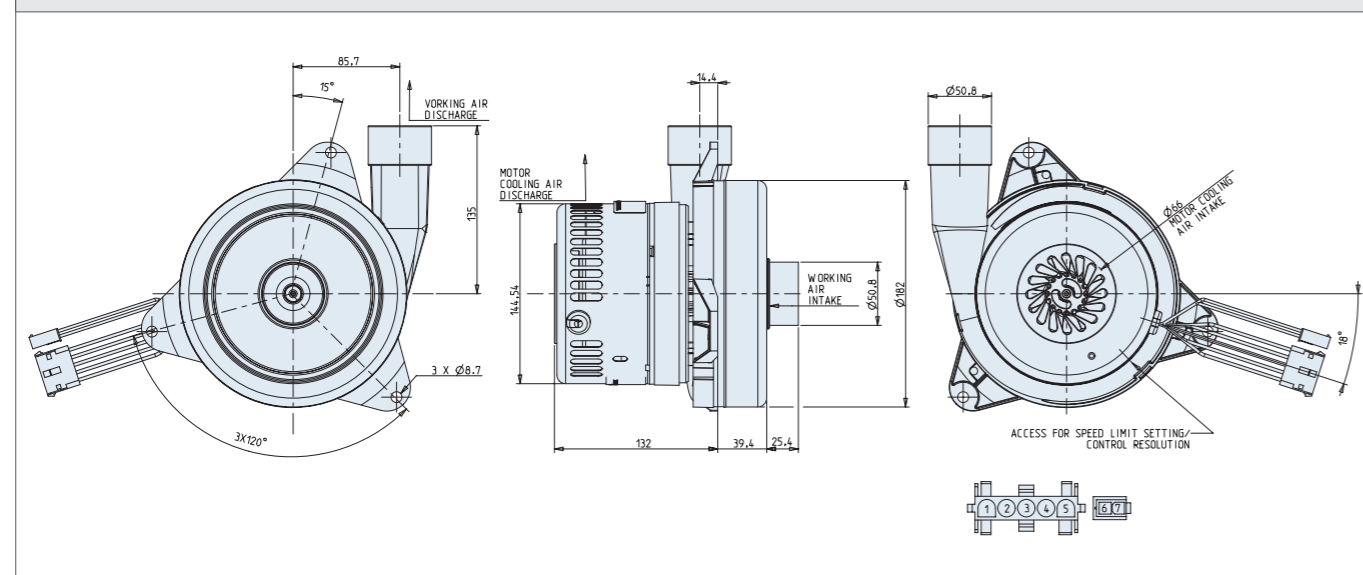


Data		1800W
Nominal voltage	VAC	230
Frequency	Hz	50/60
Phase	~	1
Fan housing diameter	mm	182
Fan stages	n°	2
Max. airflow	m3/h	195
Max. pressure	KPa	29
Max. vacuum	KPa	27
Input power	W	1800
Current @ 230V	A	13
Max. speed	rpm	25000
Weight	Kg	3.0
Standard Features		
Speed command input	VDC	0-10

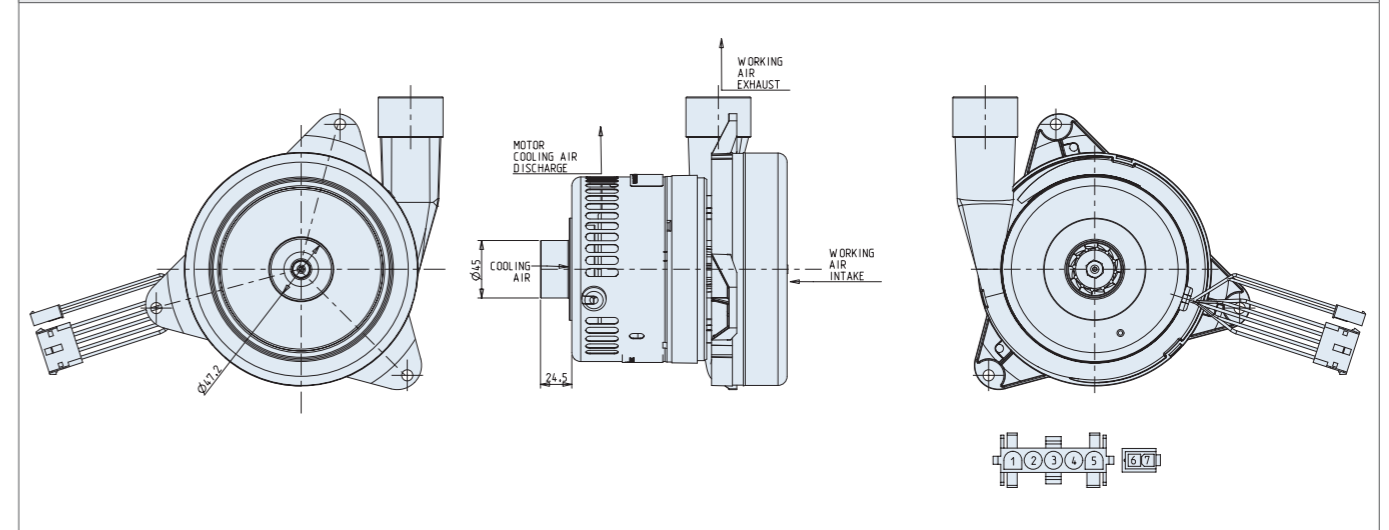
Options

- A) Mechanical
 - » Enhanced corrosion protection
 - » No inlet tube on working air
 - » Cooling air inlet tube
- B) Electrical / Software
 - » Status output
 - » Tach output resolution (up to 6 ppr)
 - » Speed command input (PWM or 5 - 20mA)
 - » Open-loop speed control
 - » Universal Voltage Input with lower max power
 - » Customized software functions
 - » External potentiometer input
 - » Auxiliary DC voltage output

Dimensions in mm/ standard model



Dimensions in mm/ model with optional inlet tube on colling air intake; no inlet tube on working air intake; tach/status output



Pin Assignment

Mating Connector: AMP Mate-N-Lok 350809-1, using universal Mate-N-Lok Sockets with 18 gauge wire
 Mating Connector Pins: Mate-N-Lok 350874-1

Pin #	Function
1	Speed command 0-10VDC
2	Speed command 0-10VDC
3	Ground
4	Line
5	Neutral
6	Tach/status output - optional
7	Tach/status output - optional

Characteristic diagram

